

DISC-LOCK

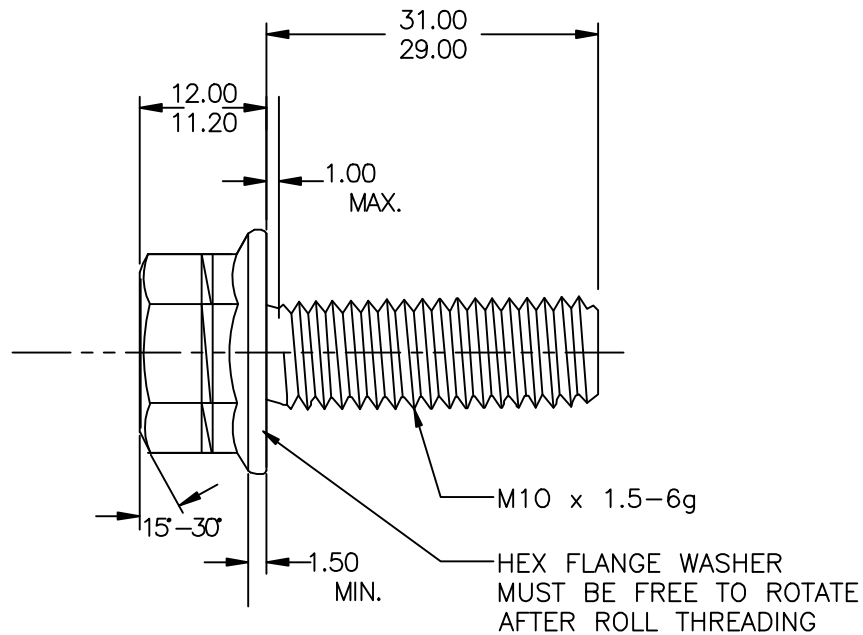
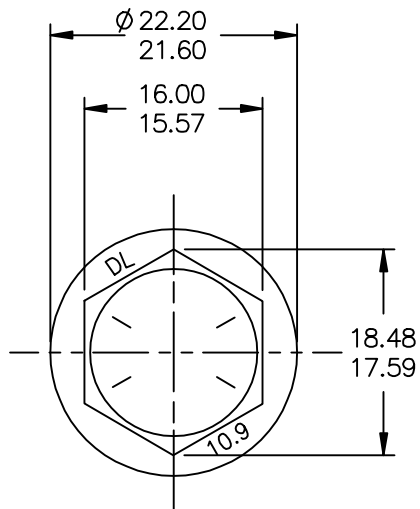
DWG NO: BCM-303-30M-567

NAME: **M10 x 1.5 x 30 DISC-LOCK Bolt**

DISC-LOCK Inc.

05-18-09

PART NO: BMC-303-30M-567



MATERIAL & MECHANICAL PROPERTIES
PER ASTM F568M

COATING: MAGNI 567

DRAWING: NOT TO SCALE

DIMENSIONS: ALL IN METRIC